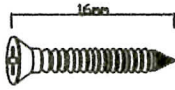
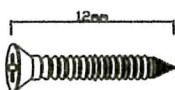
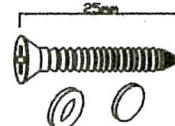




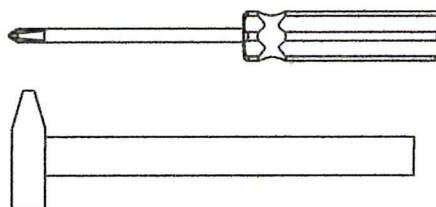
# Roll, Detergents and Rubber Gloves Holder

## install instruction

page 1 of 1

- ① (8) 
- ② (12) 
- ③ (4) 
- ④ (4) 
- ⑤ (2) 

you will also need a  
phillips-head  
screwdriver (not included)



**ATTENTION!** Two different sets of hanging fixtures are included as this item can be fixed either to a kitchen furniture door or to a wall. It is strictly NOT recommended attaching the product to a central part of a kitchen door!!! Please, fix it on a perimeter of the door, where it is a thicker frame only! The central part of a kitchen door is not thick and strong enough to hold the product fully loaded with detergents! If you attempt fixing the product to a central part of a kitchen door, beware of screws going through and damaging a thin decorative panel of the door.

